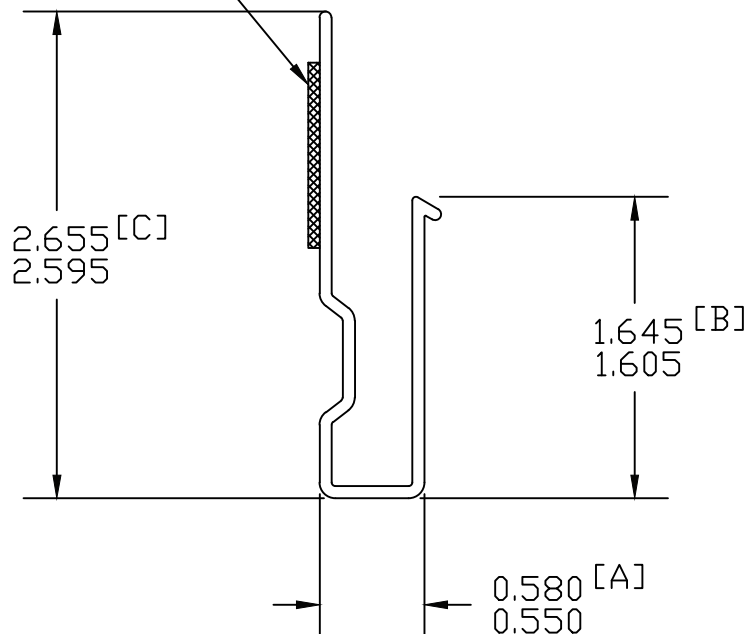


1" x 1/16" FOAM TAPE
 CENTERED
 (3M 4466W)



WALL = .065 TYP.

REVISIONS		popco ^{inc.} MINNETONKA, MN		
NO.	REV.	TITLE		
1.	Added tape & specs	REBATE HOLDER		
		DATE	SCALE	DRAWING NO.
		1/5/01	FULL	EP1972
		BY	APRV'D	