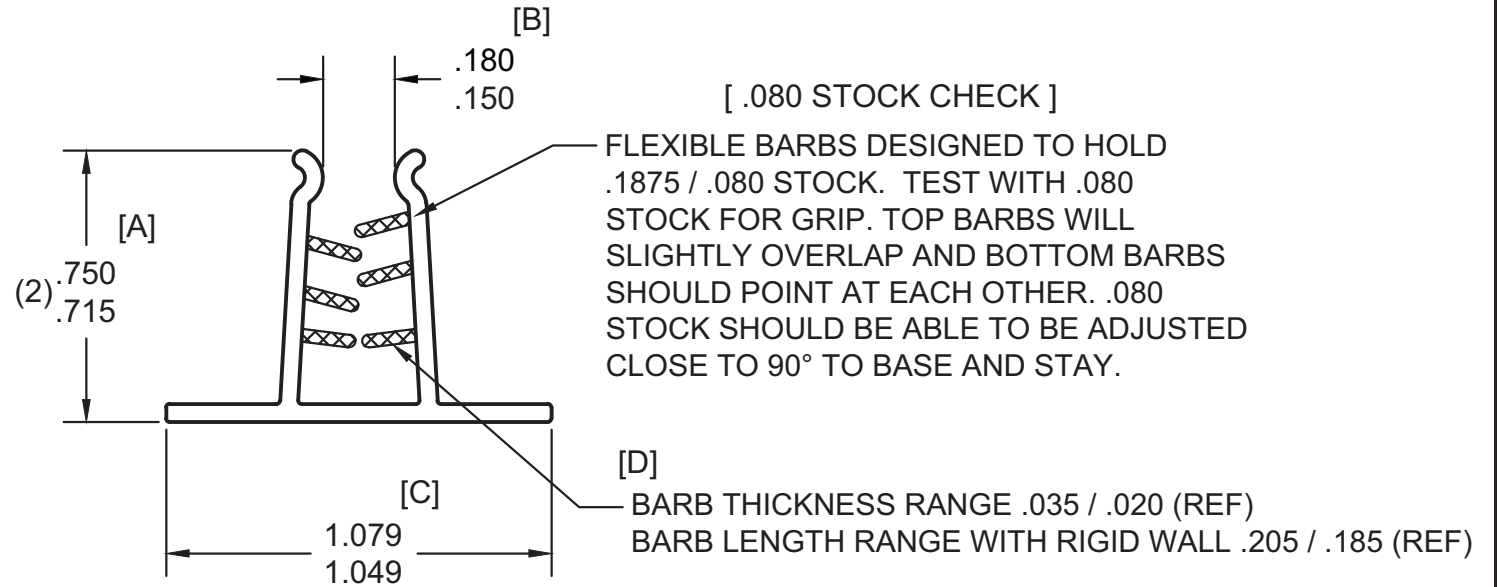




1:1 Scale



[E]
WALL = .050

REV.	DESCRIPTION	MODIFIED BY	DATE	popco inc.		FDF SIGN FOOT		
A	ADDED CONTROL SPECS	SBP	04/19/19	MINNETONKA, MN		SCALE 2:1	PART NO.	SIZE A
				DRAWN SBP	APPROVED	DATE 12/20/18	DRAWING NO. EP2950	REV A